

# Technical data sheet

## Product features



### Multi-function fixed braising pan electric 12 l cabinet with door 400 V

<b>Model</b>	<b>SAP Code</b>	00000128
BRF-64ET	<b>A group of articles - web</b>	Pans



- Bottom material: Stainless steel - suitable for cooking, easy maintenance
- Bottom thickness: 16.00
- Basin volume [l]: 12
- Protection of controls: IPX5
- Basin dimensions [mm x mm x mm]: 300 x 420 x 100
- Service accessibility: Trough the frontal panel

<b>SAP Code</b>	00000128	<b>Loading</b>	400 V / 3N - 50 Hz
<b>Net Width [mm]</b>	400	<b>Bottom material</b>	Stainless steel - suitable for cooking, easy maintenance
<b>Net Depth [mm]</b>	600	<b>Basin volume [l]</b>	12
<b>Net Height [mm]</b>	900	<b>Width of internal part [mm]</b>	300
<b>Net Weight [kg]</b>	65.00	<b>Depth of internal part [mm]</b>	420
<b>Power electric [kW]</b>	3.300	<b>Height of internal part [mm]</b>	100

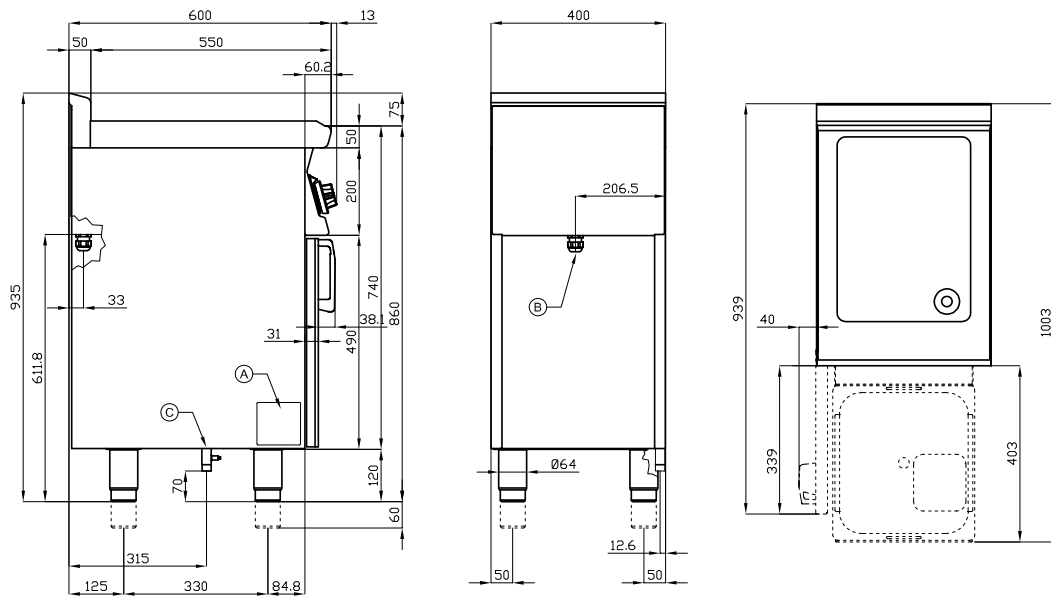
# Technical data sheet

Technical drawing



## Multi-function fixed braising pan electric 12 l cabinet with door 400 V

<b>Model</b>	<b>SAP Code</b>	00000128
BRF-64ET	<b>A group of articles - web</b>	Pans



A	Data plate		B	Electrical connection	
---	------------	--	---	-----------------------	--

# Technical data sheet

Product benefits



## Multi-function fixed braising pan electric 12 l cabinet with door 400 V

<b>Model</b>	<b>SAP Code</b>	00000128
BRF-64ET	<b>A group of articles - web</b>	Pans

1

### All-stainless steel bathtub

long life  
resistance of AISI 304 stainless steel material  
the material does not cut

- savings on service interventions
- easier and faster operation

2

### Degree of protection of the control elements IPX5

maintenance-free system  
resistance to splash water  
long life

- savings on service interventions
- easy cleaning and maintenance of equipment

3

### Outlet to a removable collector in the substructure

outlet of the bath into the prepared container

- easy and safe handling

# Technical data sheet

Technical parameters



## Multi-function fixed braising pan electric 12 l cabinet with door 400 V

<b>Model</b>	<b>SAP Code</b>	00000128
BRF-64ET	<b>A group of articles - web</b>	Pans

**1. SAP Code:**

00000128

**2. Net Width [mm]:**

400

**3. Net Depth [mm]:**

600

**4. Net Height [mm]:**

900

**5. Net Weight [kg]:**

65.00

**6. Gross Width [mm]:**

430

**7. Gross depth [mm]:**

670

**8. Gross Height [mm]:**

1110

**9. Gross Weight [kg]:**

75.00

**10. Device type:**

Electric unit

**11. Construction type of device:**

With substructure

**12. Power electric [kW]:**

3.300

**13. Loading:**

400 V / 3N - 50 Hz

**14. Protection of controls:**

IPX5

**15. Exterior color of the device:**

Stainless steel

**16. Material:**

AISI 304 top plate and cladding

**17. Indicators:**

operation and warm-up

**18. Worktop Thickness [mm]:**

1.00

**19. Basin volume [l]:**

12

**20. Basin dimensions [mm x mm x mm]:**

300 x 420 x 100

**21. Volume capacity of the container [l]:**

12.00

**22. Maximum device temperature [°C]:**

300

**23. Minimum device temperature [°C]:**

50

**24. Service accessibility:**

Trough the frontal panel

**25. Safety thermostat:**

Yes

**26. Adjustable feet:**

Yes

**27. Bottom thickness:**

16.00

**28. Bottom material:**

Stainless steel - suitable for cooking, easy maintenance

# Technical data sheet

Technical parameters



## Multi-function fixed braising pan electric 12 l cabinet with door 400 V

<b>Model</b>	<b>SAP Code</b>	00000128
BRF-64ET	<b>A group of articles - web</b>	Pans

**29. Drain:**

Yes

**32. Height of internal part [mm]:**

100

**30. Width of internal part [mm]:**

300

**33. Cross-section of conductors CU [mm<sup>2</sup>]:**

1

**31. Depth of internal part [mm]:**

420